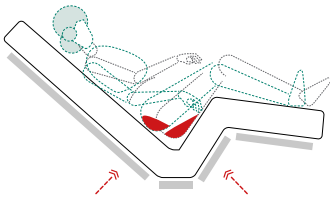
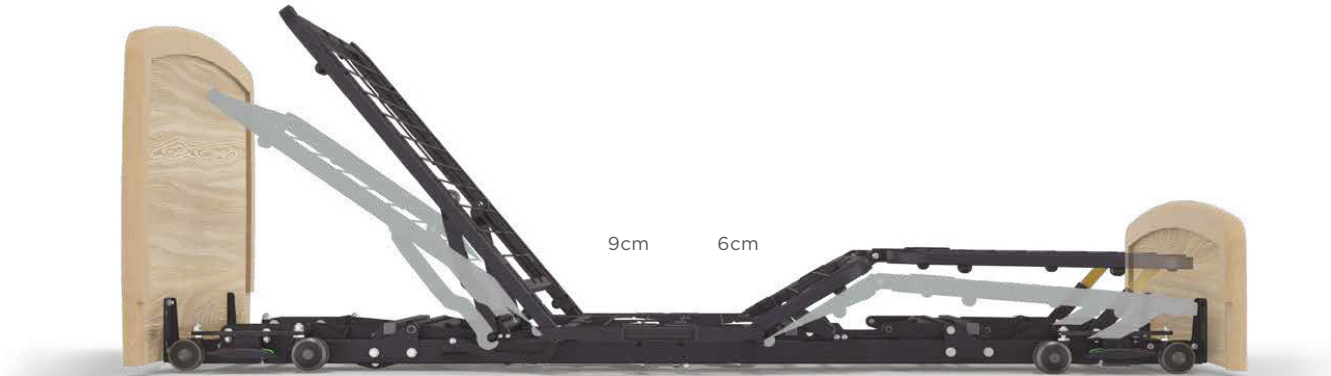


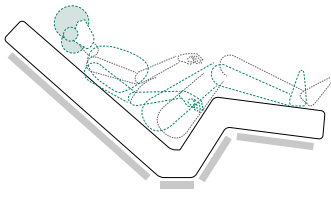


Caregiving is now complemented by the introduction of our dynamic system, helping
form part of your first line of defence against tissue damage.

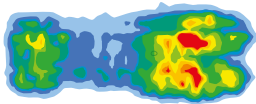
When moving from a supine to sitting position in bed, the body naturally lengthens.
auto-regression feature accommodates this change, so not only does it help with
pressure distribution, it helps improve comfort too. With all essential clinical features to aid safe
nursing and residents' independence, the bed has people at the heart of its design.



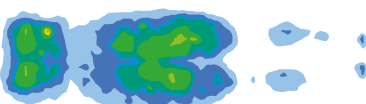
No regression increases friction and shear



regression reduces friction and shear



Pressure map showing no regression



Pressure map showing regression

A comfortable to hold handset with a simple one-touch operation, activates pre-programmed care and comfort positions, as well as other profiling options. And with safety top of mind too, there is a lockout function to prevent unauthorised and inadvertent use, and an auto safety stop, inhibiting the bed from being lowered to below 200 mm.

Helping ensure effortless manoeuvrability and even greater levels of safety, the bed also comes equipped with eight castors and our braking system. Moving the bed around the room couldn't be easier and it takes only a single press of a pedal to secure each set of brakes.





Everything you need in just one bed. Built-in adjustability gives the option to vary dimensions and a wide range of universal accessories allows you to utilise your assets fully, even when the profile of your resident changes. Combined with less risk of downtime, streamlined procurement and reduced training needs, the bed deserves a closer look.

And clinical functionality supports nursing care when needed, with full height adjustment for caregiver safety - all packaged in a choice of eye-catching and bespoke designs to help showcase your home.





BA7830



BA8246

BA0964



BA7842



BA7852

BA7851

BA7853

Overall dimensions (Arc headboard)	1015 mm width x 2090 mm length
Mattress size standard width	900 mm width x 2000 mm length
Mattress size with width extension	1050 mm width x 2000 mm length
Mattress size with length extension	2200 mm length
Mattress platform height	100 mm to 800 mm
UniSafe braking system	2 sets of brakes, each secure 4 castors
8 castors	4 lockable castors; 4 castors to aid manoeuvrability
Castor diameter	63 mm
Maximum lifting pole load	75 kg (12 st)
Auto regression	BodyMove technology
Backrest max. angle	70 degrees
Legrest max. angle	36 degrees
Tredelenburg function	12 degrees
Liquid ingress protection	IPX6
Safe working load	275 kg (43 st)
Max. patient weight	240 kg (38 st)
Warranty	Frame: 10 years Electric/parts: 3 years

BA4000	1	BED, Empresa, Floorline
BA7875	1	BED ENDS, Empresa, Group-A1, Foot, Bento White, 90cm
BA7876	1	BED ENDS, Empresa, Group-A1, Head, Bento, White, 90cm
BA7877	2	SIDE PANEL, Empresa, Group-A1, Bento White, suit 90cm and 105cm
BA7847	1	BRACKET SET, Empresa Side Panel, set x2

BA4000	1	BED, Empresa, Floorline
BA7875	1	BED ENDS, Empresa, Group-A1, Foot, Bento White, 90cm
BA7876	1	BED ENDS, Empresa, Group-A1, Head, Bento, White, 90cm

BA4000	1	BED, Empresa, Floorline
BA8246	1	WIDTH EXTENSION, Empresa, 105cm
BA7870	1	BED ENDS, Empresa, Group-A1, Foot, Alexander Dove, 105cm
BA7871	1	BED ENDS, Empresa, Group-A1, Head, Alexander Dove, 105cm
BA7872	2	SIDE PANEL, Empresa, Group-A1, Alexander Dove, suit 90cm and 105cm
BA7847	1	BRACKET SET, Empresa Side Panel, set x2

BA4000	1	BED, Empresa, Floorline
BA8246	1	WIDTH EXTENSION, Empresa, 105cm
BA7870	1	BED ENDS, Empresa, Group-A1, Foot, Alexander Dove, 105cm
BA7871	1	BED ENDS, Empresa, Group-A1, Head, Alexander Dove, 105cm

BA4000	1	Empresa Floorline Bed
BA7902	1	BED ENDS, Empresa, Group-A1, Foot, Bento, Lissa Oak, 105cm
BA7903	1	BED ENDS, Empresa, Group-A1, Head, Bento, Lissa Oak, 105cm
BA8246	1	Empresa Width Extension 105cm

BA4000	1	Empresa Floorline Bed
BA7902	1	BED ENDS, Empresa, Group-A1, Foot, Bento, Lissa Oak, 105cm
BA7903	1	BED ENDS, Empresa, Group-A1, Head, Bento, Lissa Oak, 105cm

